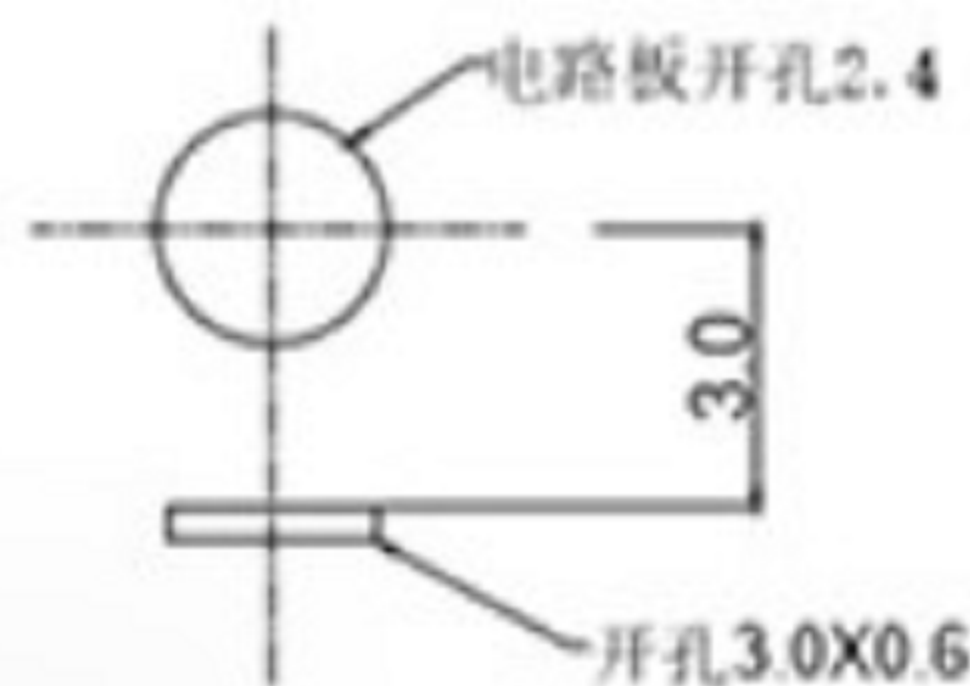
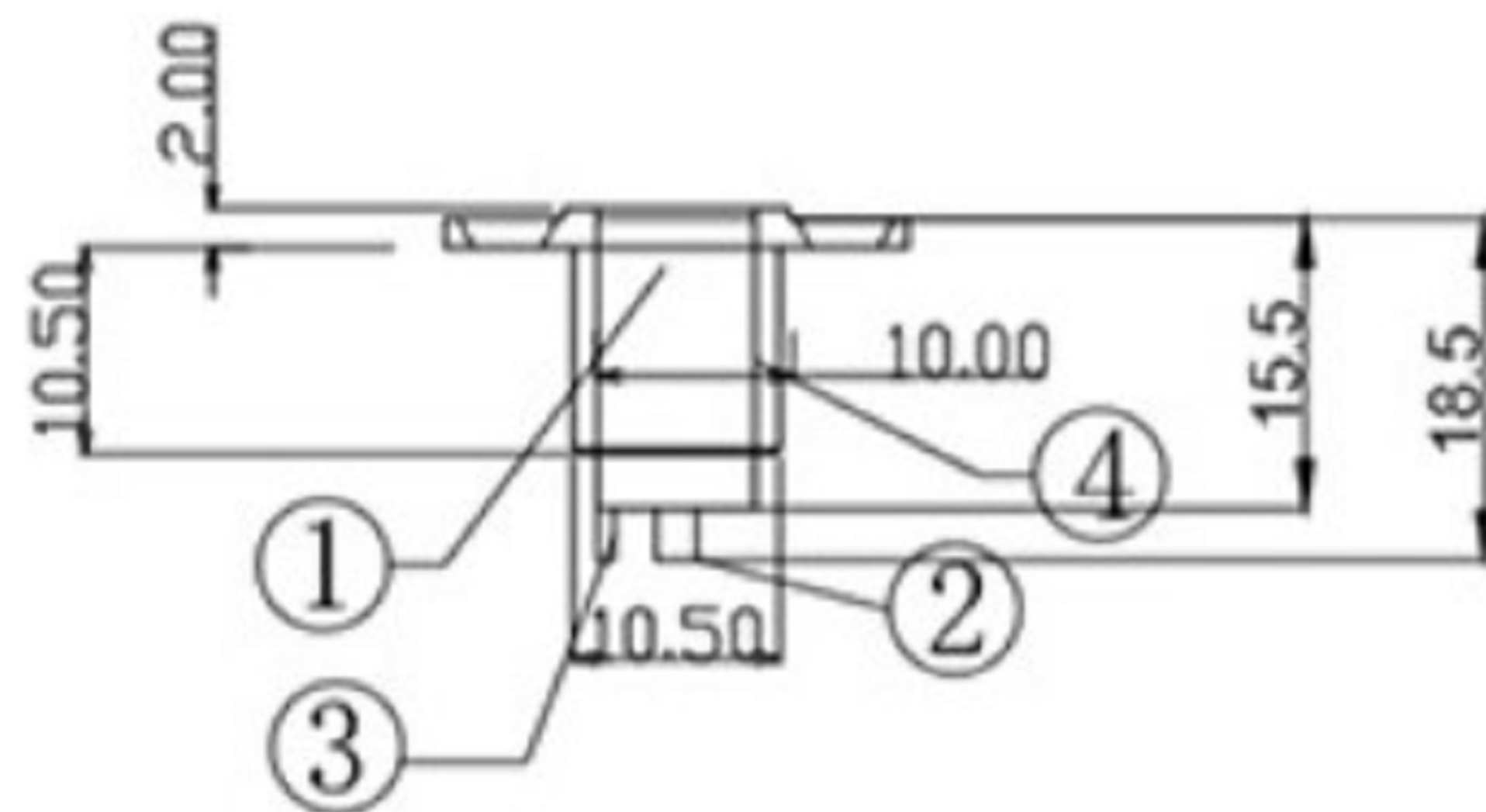
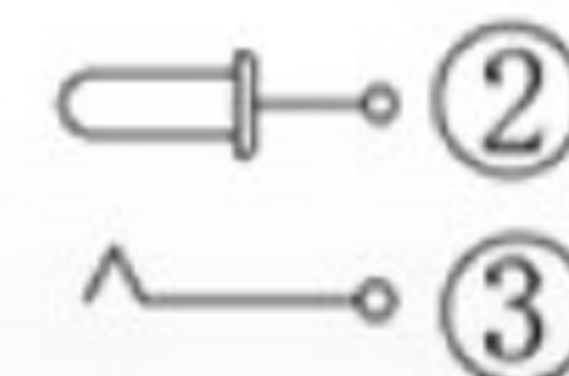


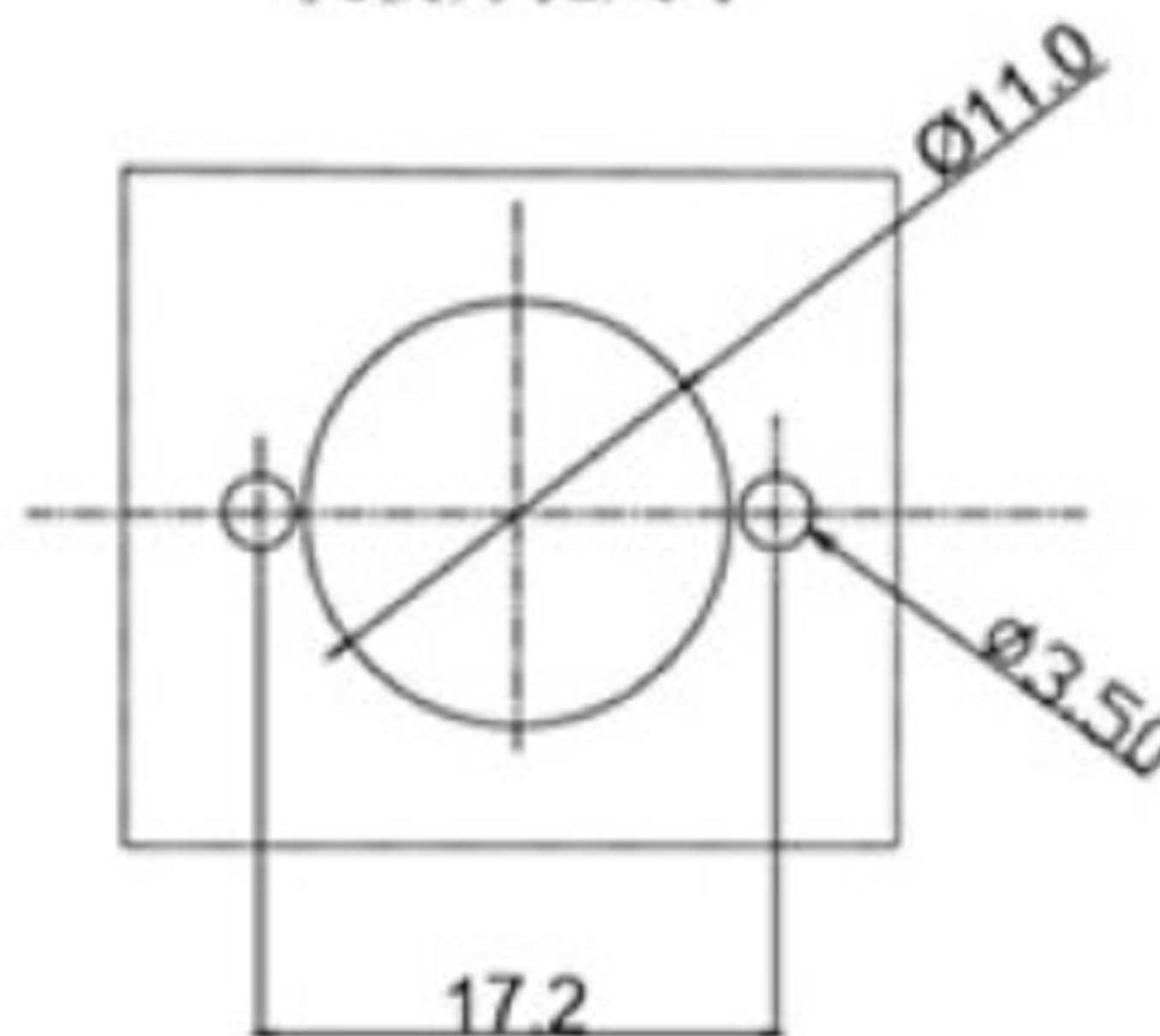
P.C.B LAYOUT
TOP VIEW



SCHEMATIC



机板开孔尺寸



| | | | | |
|-----|--------------|-----|-----------------|------------|
| ⑥ | COVER | 1 | PF | |
| ⑤ | CONTACT FOOT | 1 | BRASS | Sn-Plating |
| ④ | PIN | 1 | BRASS | Ni-Plating |
| ③ | SPRING | 1 | PHOSPHOR BRONZE | Sn-Plating |
| ② | FLAT PIECE | 1 | BRASS | Sn-Plating |
| ① | HOUSING | 1 | PBT | |
| NO. | DESCRIPTION | QTY | MATERIAL | PLATING |



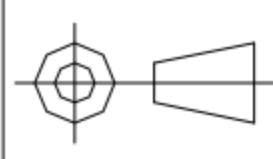
东莞市高迪电子有限公司

Dong Guan KDRR Electronic Switch Jack Co., Ltd.

TOLERANCE UNLESS OTHERWISE STATED:

Up to 5 ±0.2
Above 5 ~ 15 ±0.3
Above 15 ~ 30 ±0.4
Above 30 ~ 50 ±0.5
Angle ±0.3°

3RD. ANGEL'S



UNITS

MM

DRAWN BY: Ming Ming Zou
DATE: 6/8/23

CHECKED BY: Ning Ning Su
DATE: 6/8/23

APPROVED BY: Jia Xiang
DATE: 6/8/23

| | | | |
|-----------|--------|----------|--------------|
| MAT'L | | TITLE | JACK |
| FINISH | | MODLE | DC JACK |
| SCALE | 1:1 | DWG NO. | GD-DC-022-EL |
| SHEET NO. | 1 of 1 | PART NO. | |

| | | | |
|----------|-------------|-------|--------|
| 4 | 更新材質 | Jack | 050420 |
| 3 | 更新尺寸 | Jack | 121119 |
| 2 | 更新尺寸標示位置 | Jack | 082719 |
| 1 | 更新尺寸 | Jack | 080519 |
| ITEM NO. | DESCRIPTION | DRAWN | DATE |

SIZE
A4
VER
R4